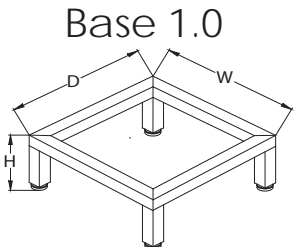
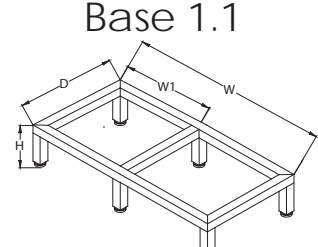


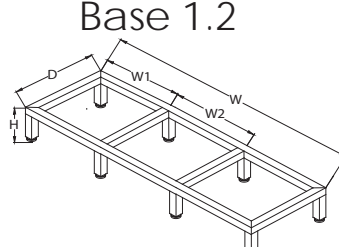
Base Layouts 1.0 - 1.4



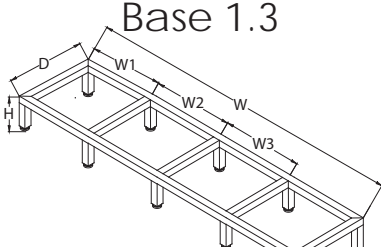
Min. H=6" Max. H=16"
 Min. D=12" Max. D=48"
 Min. W=12" Max. W=48"



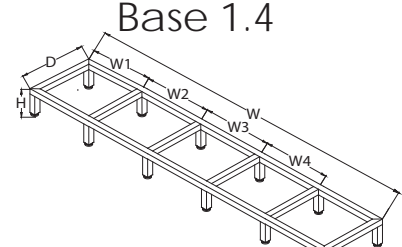
Min. H=6" Max. H=16"
 Min. D=12" Max. D=48"
 Min. W=12" Max. W=72"
 Min. W1-W2=12" Max. W1-W2=48"



Min. H=6" Max. H=16"
 Min. D=12" Max. D=48"
 Min. W=12" Max. W=96"
 Min. W1-W2=12" Max. W1-W2=48"

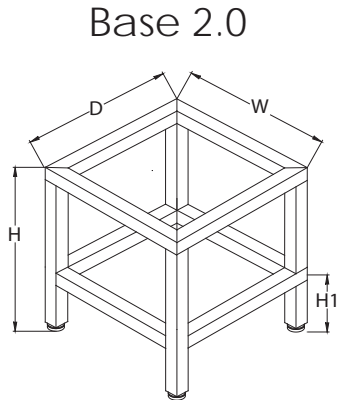


Min. H=6" Max. H=16"
 Min. D=12" Max. D=48"
 Min. W=12" Max. W=108"
 Min. W1-W3=12" Max. W1-W3=48"

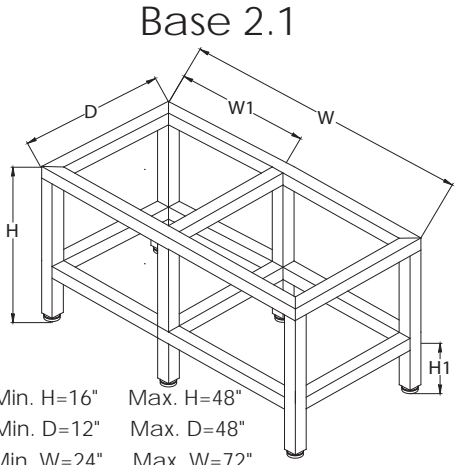


Min. H=6" Max. H=16"
 Min. D=12" Max. D=48"
 Min. W=12" Max. W=120"
 Min. W1-W4=12" Max. W1-W4=48"

Base Layouts 2.0 & 2.1

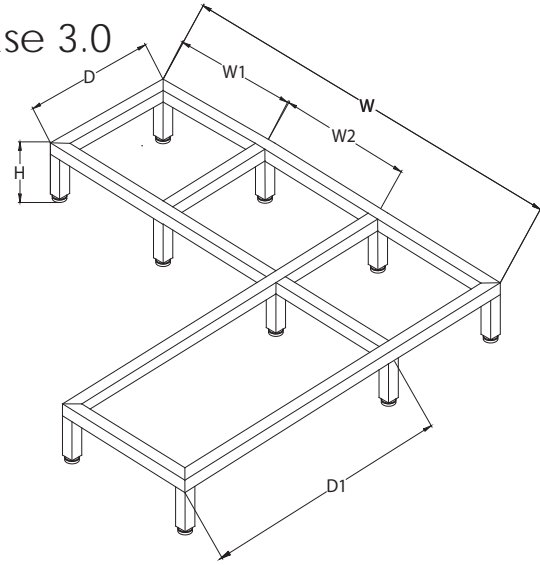


Min. H=16" Max. H=48"
 Min. D=12" Max. D=48"
 Min. W=12" Max. W=48"
 Min. H1=6" Max. H1=24"



Min. H=16" Max. H=48"
 Min. D=12" Max. D=48"
 Min. W=24" Max. W=72"
 Min. H1=6" Max. H1=24"
 Min. W1=12" Max. W1=48"

Base Layout 3.0



Min. H=6" Max. H=16"
 Min. D=12" Max. D=48"
 Min. W=24" Max. W=96"
 Min. D1=12" Max. D1=60"
 Min. W1-W2=12" Max. W1-W2=48"

- ° Custom base system configurations available - please contact Element Designs.
- ° Height (H), Depth (D), & Width (W) are the overall base system dimensions.
- ° Exterior sectional dimensions are from outside edge to center line of first cross brace (H1, D1, and W1).
- ° Interior sectional dimensions are from center to center of cross brace (W2, W3, and W4)
- ° Height (H) & Sectional Height (H1) is to bottom of leveling foot or castor.
- ° Use of casters versus leveling feet will add 2" to H & H1 minimums.
- ° Base system will ship sub-assembled with all required hardware.
- ° Attach assembled base system to cabinet with brackets, screws, or double sided tape.
- ° It is the responsibility of the customer to provide accurate dimensions for the production of Element Designs' base systems.

