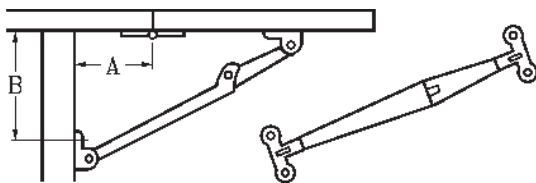


**DROPLEAF SUPPORTS**



Precision built from prime heavy gauge steel. Positive quick action when correctly applied, support cannot be "broken" accidentally because leaf is held securely in place by spring tension.

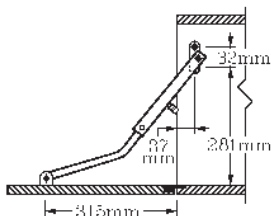
Mounting Distance "B" when "A" is:

| SIZE | 1/2"    | 1"    | 1-1/2"  | 2"      | 2-1/2" | 3"     | 3-1/2"  |
|------|---------|-------|---------|---------|--------|--------|---------|
| 6"   | 2-9/16  | 2-3/8 | 2       | 1-5/8   | -      | -      | -       |
| 8"   | 2-13/16 | 2-1/2 | 2-1/8   | 1-11/16 | 1-3/16 | -      | -       |
| 12"  | 4-5/16  | 4     | 3-11/16 | 3-5/16  | 2-7/8  | 2-7/16 | 1-15/16 |

6" **ST-DL06**  
 8" **ST-DL08**  
 12" **ST-DL12**

CabinetWare

**BIG DROP LID STAY**

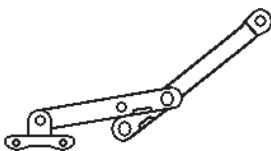


24 lb. capacity. 15" min. lid height. 32 mm hole centers. Adjustable braking tension. Sold in pairs. Aluminum anodized bronze.

**ST-DL48BZ**

CabinetWare

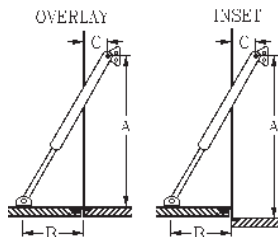
**LID SUPPORT**



Nickel plated steel. Sold by the pair with screws.

6" **STK-472NP6**  
 10" **STK-472NP10**

**TELESCOPIC DROP LEAF FLAP STAY**



Glides down slowly, silently. Raises easily. Reversible. Self-contained spring automatically holds flap shut without catch. Brake action operates on downgrade only. Adjusts for any weight flap. Polished chrome.

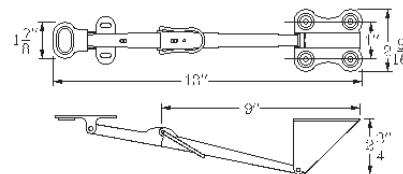
16"-22" flap height.

|   |         |         |
|---|---------|---------|
|   | Overlay | Inset   |
| A | 13"     | 13-3/4" |
| B | 5-5/8"  | 5-3/16" |
| C | 3/8"    | 1-3/16" |

**ST-DL66PC**

*See the **HG** section  
 for a wide variety of  
 hinges*

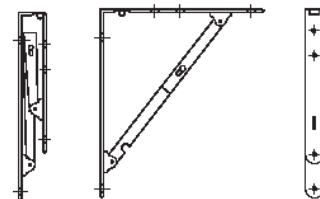
**DROPLEAF SUPPORT WITH HIGH RISE BASE**



Wrought steel with pull ring.  
**ST-DL13H**

CabinetWare

**FOLDING SHELF BRACKET**



Sold without screws. Steel with countersunk holes. Zinc and grey enamel finishes. Sold in pairs.

8" **ST-DLS8**  
 12" **ST-1794.12**  
 16" **ST-1794.16**

CabinetWare

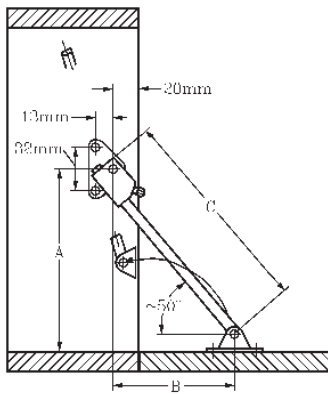
**CURVED LOCKING LID STAY**



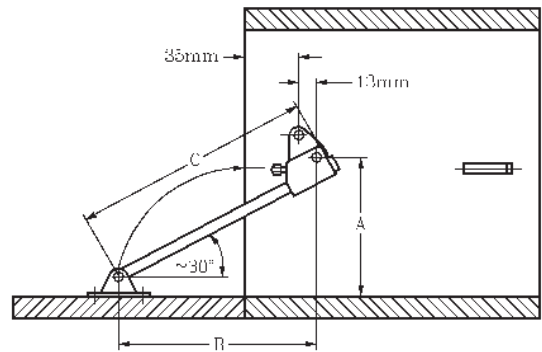
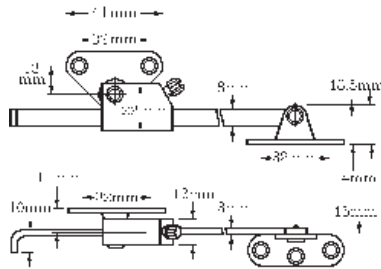
Heavy duty. Friction-free. Bronze.  
**ST-DL157BZ**

Please note - Some products featured in this catalog may not be stock items. See CabinetWare.com for current stock availability.

CONTROL DROPLID STAYS



VERTICAL



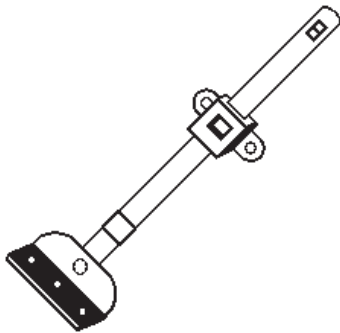
HORIZONTAL

In-line friction control using miniature nylon cylinders in the housing. Adjustable for all flap weights. Unaffected by temperature changes. Cannot slam or jam during flap drop motion. 32mm mounting centers. Friction-free upward action. Vertical and horizontal use. White with polished chrome arm. Sold in pairs.

| Flap Height | A       | Vertical B | C        | CabinetWare Part Number | Case Depth | Horizontal B | A       |
|-------------|---------|------------|----------|-------------------------|------------|--------------|---------|
| 13" - 15"   | 6-9/16" | 4-3/16"    | 7-13/16" | ST-DL84WH13             | 9" - 11"   | 6-5/16"      | 4-3/4"  |
| 15" - 17"   | 7-1/2"  | 5-3/8"     | 9"       | ST-DL84WH15             | 10" - 12"  | 7-3/16"      | 5-5/8"  |
| 17" - 19"   | 8-7/16" | 6-1/8"     | 10-3/16" | ST-DL84WH17             | 11" - 14"  | 8"           | 6-7/16" |

CabinetWare

GRIPPER DROP LID STAYS



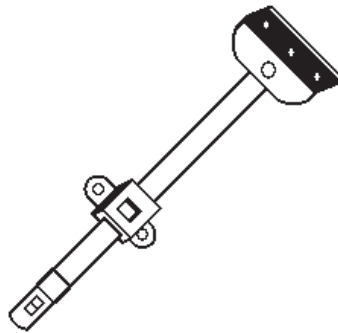
Reversible. Automatically locks lid when closed. 32mm mounting centers.

8" Polished brass ST-DL452BR8

10" Polished brass ST-DL452BR10

10" Polished Nickel ST-DL452NP10

GRIPPER LIFT UP LID STAYS



Reversible. Automatically locks lid open when raised. 32mm mounting centers. 10".

ST-LU450NI10 Nickel

DELTA LID STAY



Convertible, reversible, adjustable and demountable. This lid stay does it all. Strong, die-cast nickel-plated zamak for lids up to 20lbs. Only 8" long overall. All holes on 32mm centers. Opening angle can be varied from 75° to 90°. Fastens interchangeably, left or right. ST-SDELTA

CabinetWare

Open up the possibilities of



**CabinetWare.com**

Secure, Online Ordering • 24/7 • Real Time Inventory and more!

**CabinetWare®**

www.cabinetware.com

Sarasota

1-800-226-6300

Jacksonville

1-866-855-1575

Orlando

1-888-575-1500

Tampa

1-800-257-1855