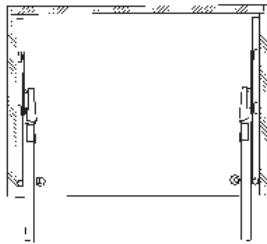
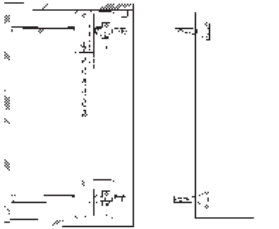




POCKET DOOR SLIDES



1-5/8" needed for interior side clearance on each side.

CabinetWare Part No.	Runner Length (mm)	Slide Travel (mm)	Handed
PDA-270E3000.04.R	11-13/16" (300)	6-11/16" (170)	Right
PDA-270E3000.05.L	11-13/16" (300)	6-11/16" (170)	Left
PDA-270E3500.04.R	13 ³ / ₄ " (350)	8-5/8" (220)	Right
PDA-270E3500.05.L	13 ³ / ₄ " (350)	8-5/8" (220)	Left
PDA-270E4000.04.R	15 ³ / ₄ " (400)	10-5/8" (270)	Right
PDA-270E4000.05.L	15 ³ / ₄ " (400)	10-5/8" (270)	Left
PDA-270E4500.04.R	17-11/16" (450)	12-9/16" (320)	Right
PDA-270E4500.05.L	17-11/16" (450)	12-9/16" (320)	Left
PDA-270E5000.04.R	19-11/16" (500)	14-9/16" (370)	Right
PDA-270E5000.05.L	19-11/16" (500)	14-9/16" (370)	Left
PDA-270E5500.04.R	21-5/8" (550)	16 ¹ / ₂ " (420)	Right
PDA-270E5500.05.L	21-5/8" (550)	16 ¹ / ₂ " (420)	Left
PDA-270E6000.04.R	23-5/8" (600)	18 ¹ / ₂ " (470)	Right
PDA-270E6000.05.L	23-5/8" (600)	18 ¹ / ₂ " (470)	Left

Reference to length in inches is nominal.

Blum Hinges: HGB-71M9580 (S.C.) & Mounting Plates HGB-175H9130 included in kit.

Load Capacity:

The weight and size of the door are factors that determine capacity. As a general rule, (2) hinges can support a door weighing 13 lbs. and/or 36" high. Add (1) hinge and runner for each additional 11 lbs. or 24" in height or fraction thereof. For unique applications consult your Blum representative.

Runner Length:

Choose the runner length that will fit inside the cabinet combined with the door thickness. (Five inches of travel is lost when pocketing the door. See slide travel below.)

A Pocket Door Set consists of:

Two slides with roller carriage; adjustable follower strip; nylon spacer; nylon door guide; screws; hinges and mounting plates; and installation instructions.

Blum pocket door slides may be mounted to side of cabinet or to underside of the top of the cabinet for **flipper mode**. A complete retracting door system that provides maximum accessibility into a cabinet. The opened door can be slid back inside the case. Blum pocket doors feature a slide and roller carriage mechanism with a metal follow strip adjustable on 32mm increments. Plates and hinges are included. Epoxy coated slides and nylon rollers provide smooth and drag-free rolling action of the doors. Independent 3-dimensional adjustment.

CabinetWare



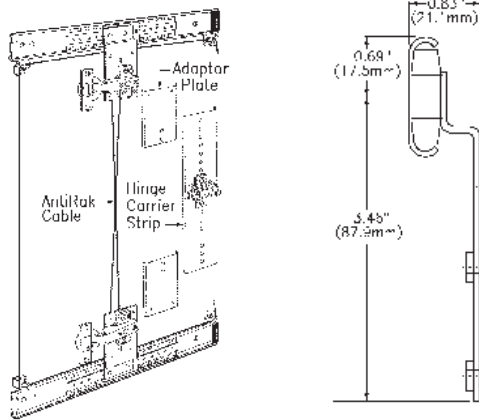
PRO POCKET 1321

FULL 3/4" OVERLAY FLIPPER DOOR SLIDE



Accuride Pro Pocket 1321 for doors up to 42" high and 30lbs in weight. Features full overlay on 3/4" side panel, auto open and skid blocks. Fits a variety of door styles. Set comes with clip hinges and plates.

CabinetWare Part Number	Slide Length	Slide Travel
PDA-CB1321.16D	15.94"	11.40"
PDA-CB1321.18D	17.94"	13.40"
PDA-CB1321.20D	19.94"	15.40"
PDA-CB1321.22D	21.94"	17.40"
PDA-CB1321.24D	23.94"	19.40"
PDA-CB1321.26D	25.94"	21.40"
PDA-CB1321.28D	27.94"	23.40"



Use for vertically mounted concealed doors, entertainment centers, office cabinets and residential storage cabinets. 32mm mounting holes. Clear zinc finish. 3/4" -7/8" door thickness. 72" max. door height. 75 pounds capacity. Sold without hinges.

To inset door, order Blum hinges: HGB-70T9580 (F.S.), HGB-71T9580 (S.C.) & mounting plates HGB-175H9130 separately.

POCKET DOOR SETS

CabinetWare Part No.	Slide Length	Slide Travel
PDA-CB1432.12D	11.94"	8.27"
PDA-CB1432.14D	13.94"	10.27"
PDA-CB1432.16D	15.94"	12.27"
PDA-CB1432.18D	17.94"	13.52"
PDA-CB1432.20D	19.94"	15.52"
PDA-CB1432.22D	21.94"	17.52"
PDA-CB1432.24D	23.94"	19.52"
PDA-CB1432.26D	25.94"	21.52"
PDA-CB1432.28D	27.94"	23.52"

CARRIER STRIP

CabinetWare Part Number	For Door Size Range
PDA-4180.0408.XE	36" +

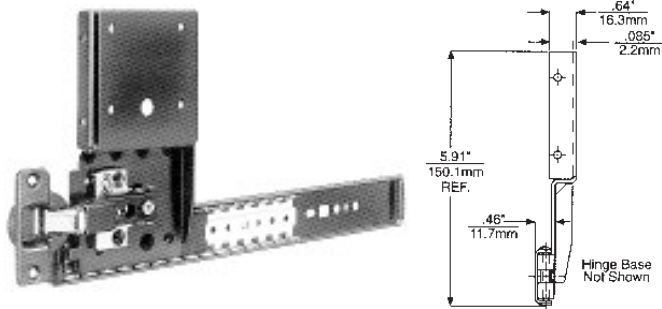
Sold separately

HINGE PACKS

Hinge Packs - 2 Hinges, 2 Plates & Spacers	
Thick Door	PDA-4180.0394.XE
Overlay Door	PDA-4180.0292.XE

Sold separately

CabinetWare



Use as vertically or horizontally mounted concealed doors for entertainment centers, office cabinets, kitchen cabinets and residential storage cabinets. Black zinc finish. 5/8" to 1-1/4" door thickness.* 123 hinges provide for inset and face frame mounting. 42" max. door height. 30 pound load capacity. Detent out feature. Door gap can be minimized to zero. Sold with hinges and mounting hardware.

The terms Flipper Door and Pocket Door are interchangeable. Horizontal or vertical mounting provides the same smooth operation in either application.

*For door thicknesses exceeding 13/16", a 40mm hinge is required.

SELF ALIGNING FLIPPER DOOR SLIDES

CabinetWare Part No.	Slide Length	Slide Travel
PDA-CB123.12D	11.94"	7.40"
PDA-CB123.14D	13.94"	9.40"
PDA-CB123.16D	15.94"	11.40"
PDA-CB123.18D	17.94"	13.40"
PDA-CB123.20D	19.94"	15.40"
PDA-CB123.22D	21.94"	17.40"
PDA-CB123.24D	23.94"	19.40"
PDA-CB123.26D	25.94"	21.40"
PDA-CB123.28D	27.94"	23.40"

HINGE PACKS

Hinge Packs - 2 Hinges, 2 Plates & Spacers	
Thick Door	PDA-4180.0313.XE
Overlay Door	PDA-4180.0314.XE

Sold separately



www.cabinetware.com

Sarasota
1-800-226-6300

Jacksonville
1-866-855-1575

Orlando
1-888-575-1500

Tampa
1-800-257-1855